



**Parts and Instruction Manual**  
**Frontrunner Series Floor Machines**  
**Low Speed & Dual Speed**

Model Nos. FM17-115 / FM20-115 / FM17-220 / FM20-220 /  
 FM17-220-60 / FM20-220-60, FM202S-115 / FM202S-220

	<b>Frontrunner 17</b>	<b>Frontrunner 20</b>	<b>Frontrunner DS</b>
<b>Head Size</b>	17" Head	20" Head	20" Head
<b>Head Speed</b>	175 RPM	175 RPM	180/320 RPM
<b>Motor</b>	1.5 HP 66 frame Motor	1.5 HP 66 frame Motor	1.5 HP 66 frame Motor
<b>Gears</b>	Triple planetary steel gears	Triple planetary steel gears	Triple planetary steel gears
<b>Weight</b>	95 lbs.	98 lbs.	92 lbs.
<b>Brush Cover</b>	Black Powder Coated	Black Powder Coated	Black Powder Coated
<b>Shipping Weight</b>	112 lbs.	115 lbs.	112 lbs.
<b>Handle</b>	Anti-fatigue Handle Grips	Anti-fatigue Handle Grips	Anti-fatigue Handle Grips
<b>Power Cord</b>	50'	50'	50'
<b>Amperage Draw</b>	14.4 Amps	14.4 Amps	14.4 Amps
<b>Shipping Dimensions</b>	48"H x 26.5"L x 23"W	48"H x 26.5"L x 23"W	48"H x 26.5"L x 23"W
<b>Warranty</b>	2 Year	2 Year	2 Year

## Table of Contents

Technical Specifications .....	2
Safety Instructions .....	4
Inspection.....	6
Maintenance .....	8
Brush and Pad Installation .....	9
FM17-115.....	10
FM20-115.....	12
FM17-220 .....	14
FM20-220 .....	16
FM17-220-60 .....	18
FM20-220-60 .....	20
FM202S-115 .....	22
FM202S-115 BOM (page 1).....	23
FM202S-115 BOM (page 2).....	24
FM202S-220 .....	25
FM202S-220 BOM (page 1).....	26
FM202S-220 BOM (page 2).....	27
Warranty .....	28

## FOR COMMERCIAL USE ONLY

# IMPORTANT SAFETY INSTRUCTIONS

When using an electrical appliance, basic precautions should always be followed, including the following:

### READ ALL INSTRUCTIONS BEFORE USING

#### **WARNING - To reduce the risk of fire, electric shock, or injury:**

- Do not leave appliance when plugged in. Unplug from outlet when not in use and before servicing.

### WARNING

To reduce the risk of electrical shock - Do not expose to rain. Store indoors.

- Never allow children or untrained adults to operate this equipment.
- Keep the area of operation clear of all persons, particularly small children, and pets. Keep bystanders at least 25 feet away from the area of operation.
- Use only as described in this manual. Use only manufacturer's recommended attachments.
- Do not use with damaged cord or plug. If appliance is not working as it should, has been dropped, damaged, left outdoors, or dropped into water, return it to a service center.
- Do not pull or carry by cord, use cord as a handle, close a door on cord, or pull cord around sharp edges or corners. Do not run appliance over cord. Keep cord away from heated surfaces.
- Do not unplug by pulling on cord. To unplug, grasp the plug, not the cord.
- Do not handle plug or appliance with wet hands.
- Do not put any object into openings. Do not use with any opening blocked; keep free of dust, lint, hair, and anything that may reduce air flow.
- Keep hair, loose clothing, fingers, and all parts of body away from openings and moving parts.
- Turn off all controls before unplugging.
- Connect to a properly grounded outlet only. See grounding instructions.

## **POUR USAGE COMMERCIAL SEULEMENT**

### **MODE D'EMPLOI SECURITAIRE**

Lorsque l'on utilise un appareil électrique, des précautions de base doivent toujours être suivies telles que:

## **BIEN LIRE LE MODES D'EMPLOI AVANT USAGE**

**AVERTISSEMENT** - Pour réduire les risques de feu, choc électrique ou blessure:

Ne pas quitter l'appareil lorsque la prise de courant est branchée. Débrancher de la sortie électrique lorsque la machine n'est pas en usage ou pour en faire le service.

**AVERTISSEMENT** - Pour réduire le risque de choc électrique - Ne pas exposer à la pluie – Entreposer à l'intérieur.

- Ne pas permettre l'usage comme jouet. Etre très prudent lorsque l'appareil est utilisé en présence d'enfants.
- Utiliser tel que prescrit dans le livre d'opération et seulement avec les attachements recommandés par le manufacturier.
- Ne pas s'en servir avec corde ou prise de courant endommagée. Si l'appareil ne fonctionne pas ou a été échappé, endommagé, entreposé à l'extérieur ou déposé dans l'eau, l'appareil devrait être envoyé à un département de service pour inspection.
- Ne pas tirer ou porter par le câble ou se servir du câble comme poignée. Ne pas fermer de portes sur le câble ou tirer le câble près d'objets pointus. Ne pas conduire l'appareil en écrasant le câble et soyez certain de protéger le câble entre toutes surfaces de chauffage.
- Ne pas débrancher en se servant du câble. Pour débrancher tirer sur la prise et non sur le câble.
- Ne pas manipuler la prise ou l'appareil avec les mains mouillées.
- Ne placer aucun objet dans la sortie et ne pas s'en servir si la sortie est obstruée. Eliminer toute poussière, maillon, cheveux ou quoique ce soit qui pourrait réduire le mouvement d'air.
- N'exposer aucuns cheveux, vêtement, doigts ou autres aux ouvertures de l'appareil.
- Fermer tous les contrôles après utilisation.
- Brancher dans une prise avec une prise de terre seulement. Voir références pour prise de terre.

## **CONSERVEZ CES RECOMMANDATIONS**

## INSPECTION

Carefully unpack and inspect your machine for shipping damage. Each unit is tested and thoroughly inspected before shipment, and any damage is the responsibility of the delivery carrier who should be notified immediately.

## WARNING

Read Instruction Manual before operating this piece of equipment.

- To reduce the risk of fire use only commercially available floor cleaners and waxes intended for machine application.
- Risk of explosion - floor sanding can result in an explosive mixture of fine dust and air. Use floor sanding machine in a well-ventilated area free from any flame or match.
- Electrical motors and components can cause an explosion when operated near volatile materials and vapors. Do not use this machine near flammable materials such as solvents, thinners, fuels, grain dust, etc.

## ELECTRICAL - 115 Volt

Model FM17-115, FM20-115, FM202S-115

This machine is designed to operate on a standard 15 amp, 120 volt, 60 Hz, AC circuit. Voltages below 105 volt AC or above 125 volts AC could cause serious damage to the motor.

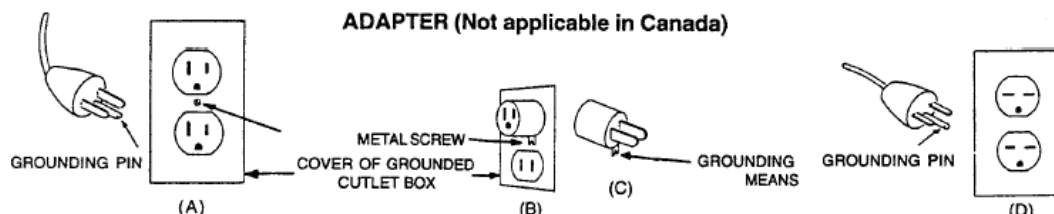
## ELECTRICAL - 240 Volt

Model FM17-220, FM20-220, FM202S-220, FM17-220-60 (\*), FM20-220-60 (\*), FM202S-220-60 (\*)

This machine is designed to operate on a standard 8.3 amp type L fused 230 volt, 50 Hz (\* implies 60 Hz), AC circuit. Voltages below 200 volt AC or above 250 volts AC could cause serious damage to the motor.

## GROUNDING INSTRUCTIONS

- This floor finishing machine should be grounded while in use to protect the operator from electric shock. The machine is equipped with a three-conductor cord and a three-prong grounding type attachment plug to fit the proper grounding type receptacle. The green (or green and yellow) conductor in the cord is the grounding wire. Never connect this wire to other than the grounding blade.
- Floor Finishing Machines Rated Less Than 150 Volts - If the machine is provided with an attachment plug as shown in Sketch A it is intended for use on a 120-volt (nominal) circuit.
- If a properly grounded receptacle as shown in Sketch A is not available, an adapter as shown in Sketch C is available and should be installed as shown in Sketch B if the outlet box that houses the receptacle is grounded. Be sure to fasten the grounding tab with the faceplate screw.
- Floor Finishing Machines Rated More Than 150 Volts - If the machine is provided with an attachment plug as shown in Sketch D, it is intended for use on a nominal 240 volt circuit. No adapter is available for this plug.



## INSPECTION

Déballer soigneusement en constatant s'il y a lieu tout dommage apparent. Chacune des pièces d'équipement est entièrement inspectée à l'usine et tout dommage de transit est la responsabilité de la compagnie de transport qui devrait être prévenue immédiatement.

## AVERTISSEMENT

- S. V. P. lire le manuel d'instruction avant d'opérer cette pièce d'équipement.
- Pour réduire le risque d'incendie, se servir de ces appareils uniquement pour usage commercial et avec les produits construits spécifiquement pour usage avec ces appareils.
- Les moteurs électriques peuvent être la cause d'explosion s'ils sont utilisés près de matériaux ou de vapeurs explosives. Ne pas opérer près de matériaux inflammables tels que solvant, essence, poussière de grain etc.

## ELECRICITE - 115 Volt

Modèles Model FM17-115, FM20-115, FM202S-115

Ces appareils sont congrus pour opérer sur un circuit standard de 15 amp 120 volt, 60 hz, circuit AC. Tout voltage en bas de 105 volt AC ou au-delà de 125 volts AC pourrait occasionner des dommages au moteur.

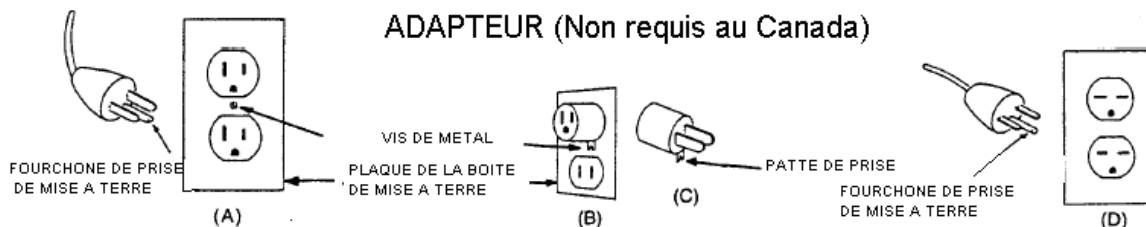
## ELECRICITE - 240 Volt

Modèles FM17-220, FM20-220, FM202S-220, FM17-220-60 (\*), FM20-220-60 (\*), FM202S-220-60 (\*)

Ces appareils sont congrus pour opérer sur un circuit standard AC de 8.3 amp fusible type L230 volt, 50 Hz (\* 60 Hz). Tout voltage en bas de 200 volts AC ou au-delà de 250 volts AC pourrait occasionner des dommages au moteur.

## INSTRUCTION POUR PRISE DE TERRE

- Ces appareils doivent posséder une prise de miss à terre pour protéger l'opérateur contre les chocs électriques. Cet appareil est muni d'une corde électrique à trois fils et d'un réceptacle à trois fourchons et prise de mise à terre pour s'accorder dans un réceptacle avec prise de mise à terre réciproque. Le fil conducteur vert (ou vert et jaune) de la corde électrique est le fil désigné comme prise de mise à terre. Ne jamais relier ce fil à un fil autre que celui de prise de mise à terre.
- Appareils estimés à moins de 150 volts. - Si ces appareils offrent une prise de courant tel que dans le croquis A, ils sont destinés pour utilisation avec un circuit de 120 volts. Si un réceptacle avec prise de mise à terre n'est pas disponible tel que montré au croquis A, un adapteur tel que vu au croquis C est disponible et devrait être installé tel que montré au croquis B si la boîte électrique est munie d'une prise de mise à terre. Assurez-vous de bien relier la patte de prise avec la vis.
- Appareils destinés à plus de 150 volts. - Si ces appareils offrent une prise de courant tel que démontré au croquis D, ils doivent être utilisés avec un circuit de 240 volts. Aucun adapteur n'est disponible pour cette prise



## USER MAINTENANCE INSTRUCTIONS

A qualified electrician should perform all service and repair. No user serviceable components are employed in this equipment. No lubrication of the motor is required.

### CORD STORAGE

While not in use, storage can be accomplished by winding cord around handle assy. Cord should be completely unwound during operation.

- Do not use with damaged cord or plug. If appliance is not working as it should, has been dropped, damaged, left outdoors, or dropped into water, return to service center.
- Do not pull or carry by cord, use cord as handle, close a door on cord, or pull cord around sharp edges or corners. Do not run appliance over cord. Keep cord away from heated surfaces.
- Do not unplug by pulling cord. To unplug, grasp the plug, not the cord.
- Do not handle plug or appliance with wet hands.
- Always unplug the machine when removing brush. This equipment should be stored indoors and not exposed to rain.

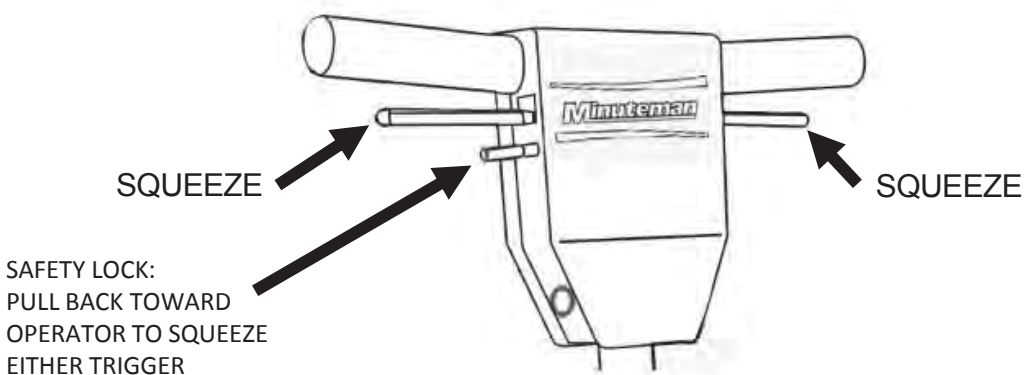
### OPERATION

The brush is attached in the following manner: Tip machine backward with handle on floor. Brush is then inserted over the lugs on the bottom of the gear unit and twisted to the left. This secures the clutch plate of the brush over the lugs on the gear unit in the correct driving position.

LOWER HANDLE ASSEMBLY TO WAIST HIGH POSITION TO OPERATE.

Due to the rotation of a single disc machine, it will naturally have a tendency to move to the right or left, depending on the operator's slight pressure either up or down on the handle. If the handle is lifted slightly up, the machine will travel to the right; a downward pressure and it will travel to the left. It is this maneuverability that enables an operator to cover large areas in a short time with the least amount of effort. The machine can be made to operate without travel by balancing...

... KEEPING THE BRUSH PRESSURE ON THE FLOOR EQUAL. With a few minutes of practice in a large area, you will have perfect fingertip control of the machine. This equipment is equipped with trigger safety interlock. Refer to diagram pictured.

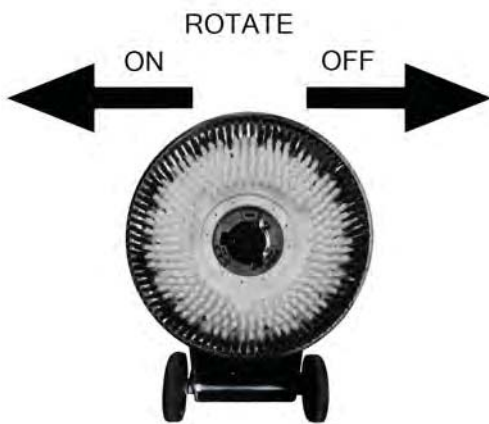




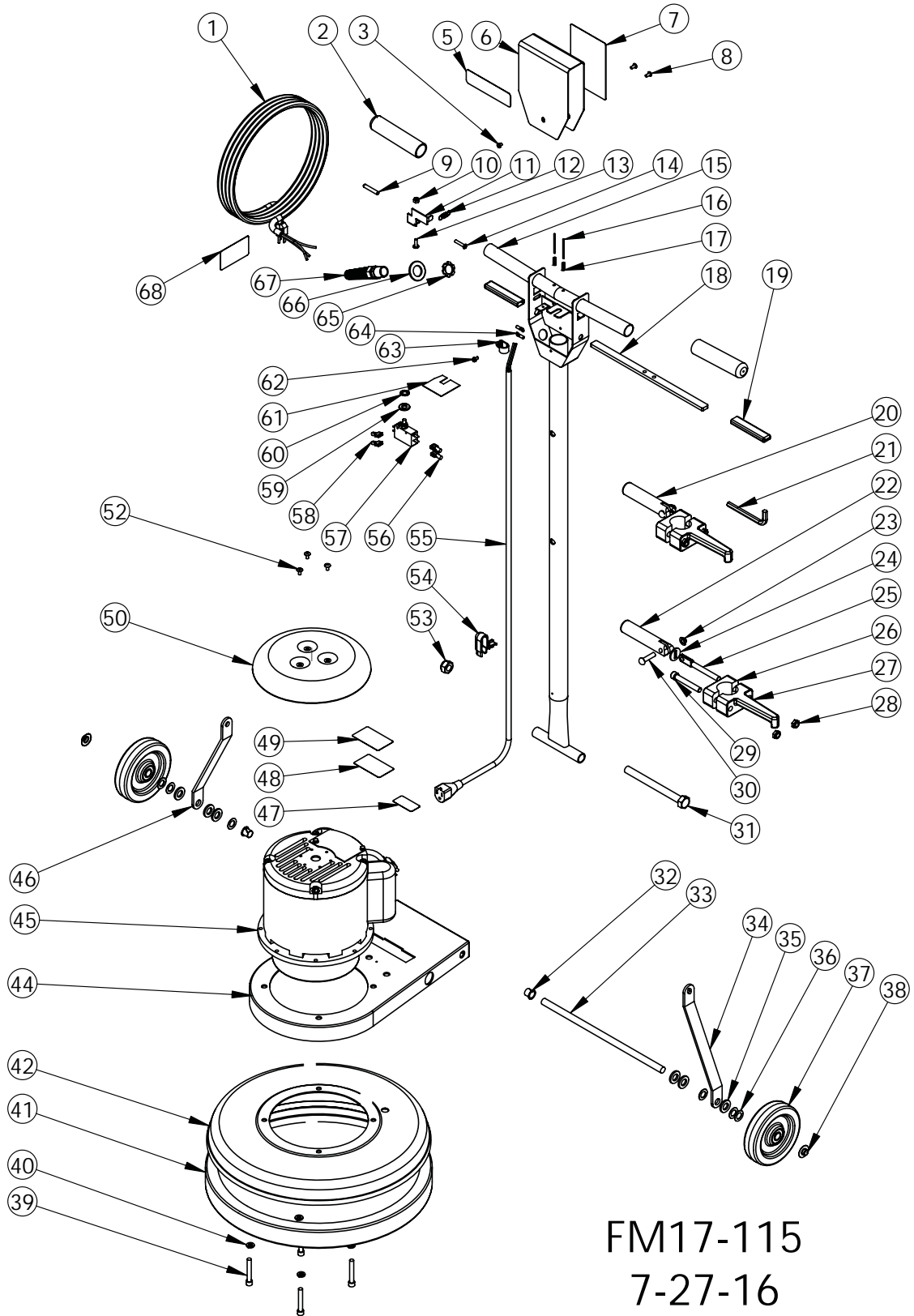
### Brush and pad driver installation



- Place the machine's handle into the upright and locked position
- Lean the machine back so that the handle rests on the floor. Keep the wheels on the floor
- Align the Tri-lock cutout on the brush or pad driver to the gearbox
- Turn counter clockwise to lock in place
- Turn clockwise to dismount
- To prevent your pad driver or brush from becoming disfigured, always remove when not in use

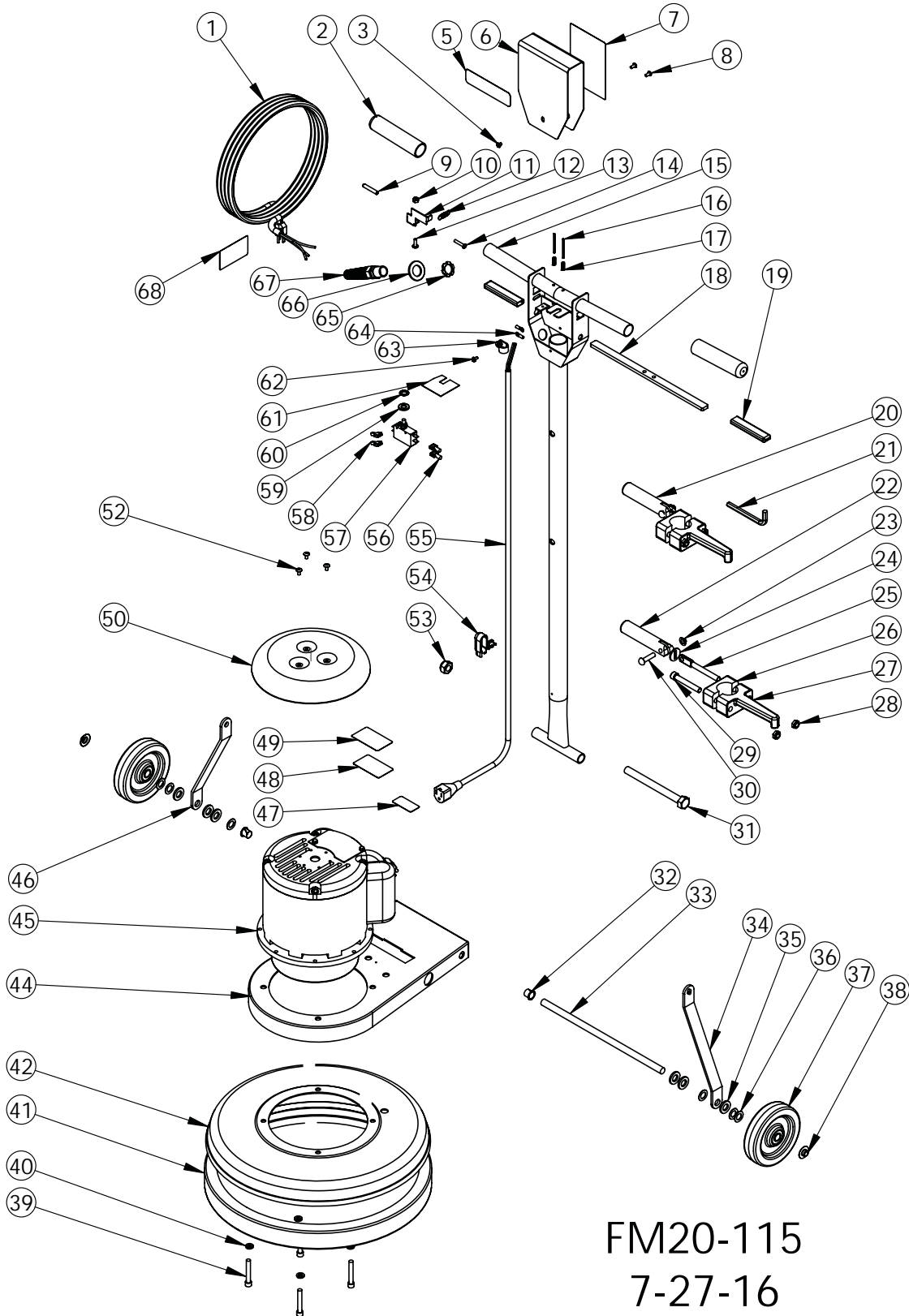


**WARNING: Never change a brush or pad driver, while the machine is connected to a power source. Always, unplug machine.**



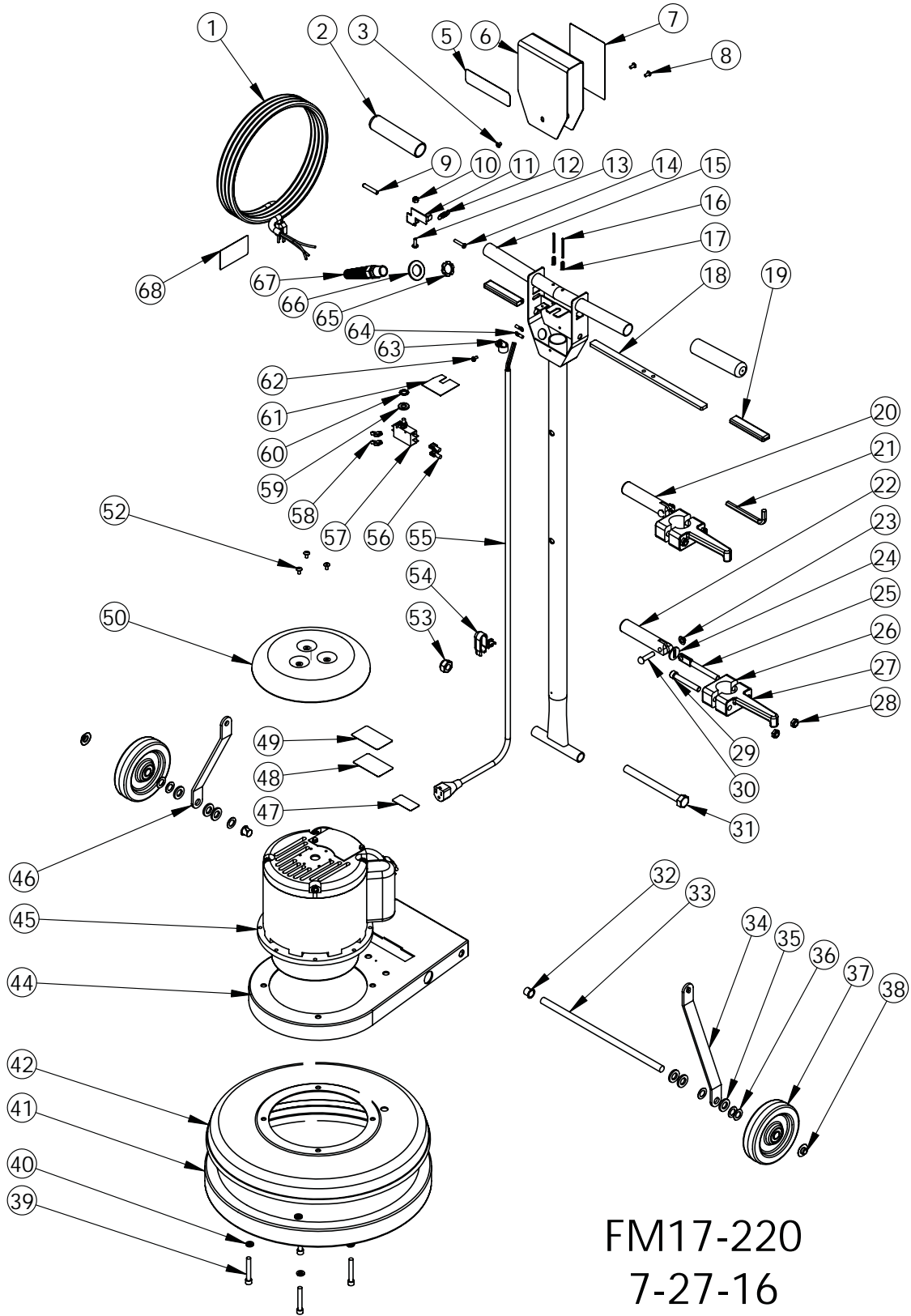
FM17-115  
7-27-16

BILL OF MATERIAL							
ITEM	PART #	QTY	DESCRIPTION	ITEM	PART #	QTY	DESCRIPTION
1	B11487	1	Power Cord, 14-3, 50 FT, SJTW	35	C00240	6	Washer, Shoulder, Nylon
2	K11498	2	Grip	36	C11559	6	"Washer, .515 X .875 X .032"
3	C11528	1	Screw, 10-32 X .25 in	37	G11943	2	Wheel, 5 in Saturn
5	H11831	1	Minuteman Label	38	C02305	2	Cap Nut, .5in Push-on
6	D11496B	1	Switch Box Cover, Black	39	C11501	4	Socket Cap Screw, .31 - 18
7	H11493	1	Label, Safety, Floor Machine	40	C00251	4	Lockwasher, .31, Split
8	C11529	2	Screw, 10-32 X .375 in	41	E11477	1	Bumper, 17 in Floor Machine
9	K11519	1	Lever Grip, Lockout, Black	42	D11485B	1	Brush Cover, 17 in, Black
10	C00278	1	Locknut, 10-32, Nylon, SS	44	D11483-1	1	Black Motor Frame with spacers welded on
11	D11494	1	Lockout Bracket	45	G11468	1	Motor W-Gearbox, 1.5 HP 115v
12	D11524	1	Spring, Lockout	46	D11481	1	Handle Brace, Left, Black
13	C90007	1	"Screw, 10-32 X .625 Phillips, Truss Head, SS"	47	H10976-1	1	Label, UL STD 561-507
14	C11491	1	Screw, 10-32 X 1 in, SS	48	H00565-5	1	Label, Serial #, Standard
15	D11479-1	1	Handle, Chrome, Floormachine	49	H03545	1	Cover, Serial #, Label
16	C00306	2	Roll Pin, .125 X 1.75	50	D11490B	1	Drip Cover, Black
17	D11523	2	Spring, Trigger	52	C11916	3	"Screw, 10-32 X .375 Phillips"
18	D11495	1	Trigger, Zinc Plated	53	C13100	1	Nut, M14-2.0 Nylon Insert
19	K11520	2	Lever Grip, Trigger, Black	54	B10734	1	Strain Relief, Handle
20	11507A	1	Assembled Locking Handle, Cord Hook	55	B11513	1	Cord, Handle, 14-3 SJTW
21	C11619	1	Allen Wrench, .31 in	56	B11762	2	Terminal Lug, Nylon, Female
22	D11497	1	Handle, Locking Clamp	57	B11465	1	Switch, DPST, Pushbutton
23	C11538	1	Cap Nut, .31 in, Push-On	58	B00177	2	"Terminal Lug, Female, QD, .25 X .032"
24	C00259	1	Washer, Slotted, Zinc	59	C00252	1	Washer, .375 in, Flat
25	C11536	1	Spade Bolt, .375-16 X 4 in	60	C11541	1	Washer, .375 in, Star
26	D11507-2	1	Cord Hook Clamp	61	B11518	1	Switch Insulation
27	D11507	1	Cord Hook Body	62	C00284	1	"Screw, 10-32 X .375 Ground"
28	C11558	2	Locknut, Black Oxide, Thin	63	B00187	1	Cable Clamp, Nylon, .43 in.
29	C11502	1	Socket Cap Screw, .375- 16 X 2.5 in	64	B00180-10-3	2	Ring Terminal, #10 Center
30	C11537	1	Dowel Pin, .31 X 1.5 in	65	B11505	1	Strain Relief Nut, Metal
31	C22558	1	Handle Pivot Bolt	66	C11560	1	Washer, .93 ID X 1.5 OD
32	K00674	2	Bushing, .50 in, Nylon	67	B11504	1	Strain Relief, Metal
33	D11510	1	Axle, Floor Machine	68	H02548-2	1	Label, Important, Cord
34	D11482	1	Handle Brace, Right, Black				



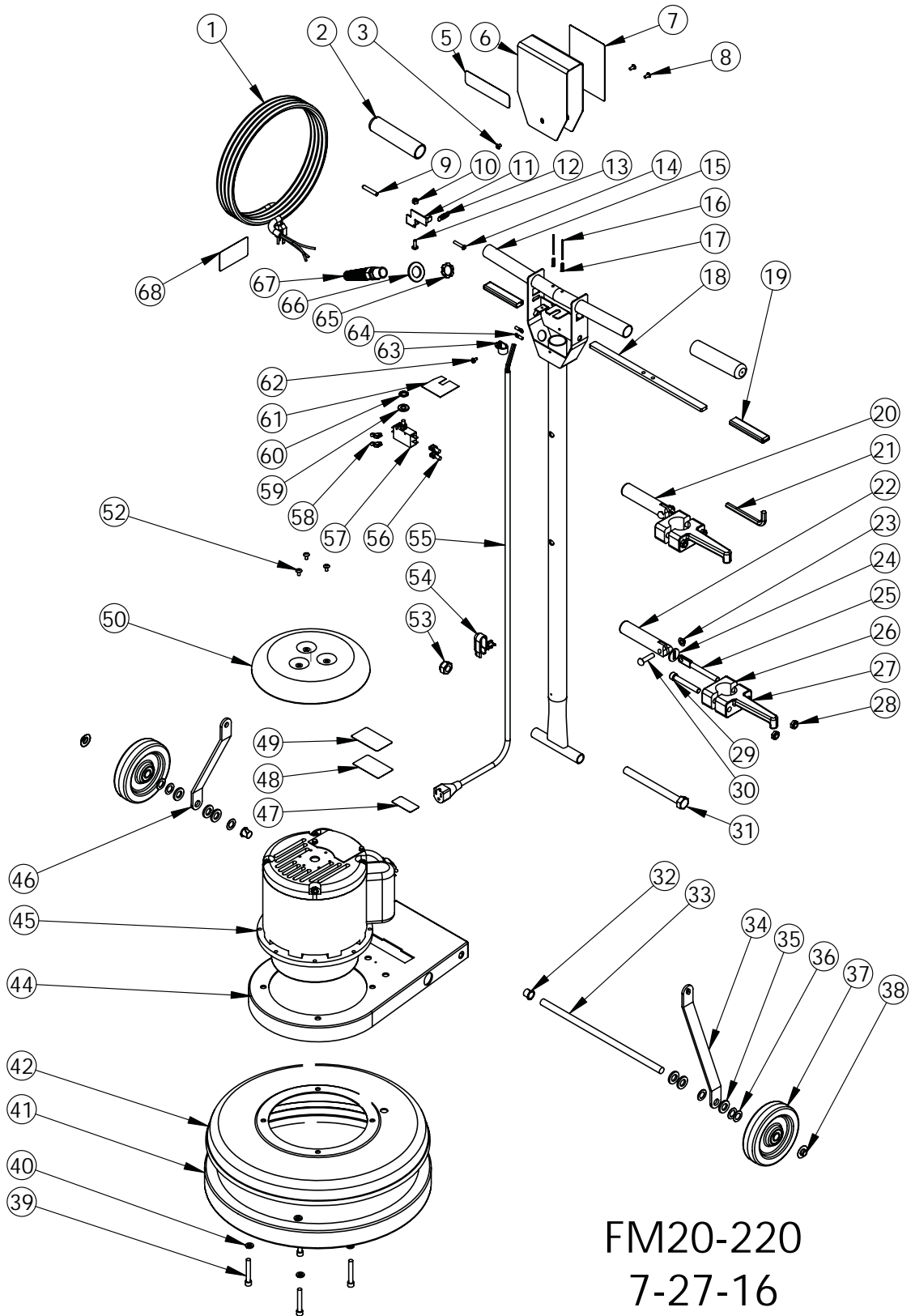
FM20-115  
7-27-16

BILL OF MATERIAL							
ITEM	PART #	QTY	DESCRIPTION	ITEM	PART #	QTY	DESCRIPTION
1	B11487	1	Power Cord, 14-3, 50 FT, SJTW	35	C00240	6	Washer, Shoulder, Nylon
2	K11498	2	Grip	36	C11559	6	"Washer, .515 X .875 X .032"
3	C11528	1	Screw, 10-32 X .25 in	37	G11943	2	Wheel, 5 in Saturn
5	H11831	1	Minuteman Label	38	C02305	2	Cap Nut, .5in Push-on
6	D11496B	1	Switch Box Cover, Black	39	C11501	4	Socket Cap Screw, .31 - 18
7	H11493	1	Label, Safety, Floor Machine	40	C00251	4	Lockwasher, .31, Split
8	C11529	2	Screw, 10-32 X .375 in	41	E11478	1	Bumper, 20 in Floor Machine
9	K11519	1	Lever Grip, Lockout, Black	42	D11486B	1	Brush Cover, 20 in, Black
10	C00278	1	Locknut, 10-32, Nylon, SS	44	D11483-1	1	Black Motor Frame with spacers welded on
11	D11494	1	Lockout Bracket	45	G11468	1	Motor W-Gearbox, 1.5 HP 115v
12	D11524	1	Spring, Lockout	46	D11481	1	Handle Brace, Left, Black
13	C90007	1	"Screw, 10-32 X .625 Phillips, Truss Head, SS"	47	H10976-1	1	Label, UL STD 561-507
14	C11491	1	Screw, 10-32 X 1 in, SS	48	H00565-5	1	Label, Serial #, Standard
15	D11479-1	1	Handle, Chrome, Floormachine	49	H03545	1	Cover, Serial #, Label
16	C00306	2	Roll Pin, .125 X 1.75	50	D11490B	1	Drip Cover, Black
17	D11523	2	Spring, Trigger	52	C11916	3	"Screw, 10-32 X .375 Phillips"
18	D11495	1	Trigger, Zinc Plated	53	C13100	1	Nut, M14-2.0 Nylon Insert
19	K11520	2	Lever Grip, Trigger, Black	54	B10734	1	Strain Relief, Handle
20	11507A	1	Assembled Locking Handle, Cord Hook	55	B11513	1	Cord, Handle, 14-3 SJTW
21	C11619	1	Allen Wrench, .31 in	56	B11762	2	Terminal Lug, Nylon, Female
22	D11497	1	Handle, Locking Clamp	57	B11465	1	Switch, DPST, Pushbutton
23	C11538	1	Cap Nut, .31 in, Push-On	58	B00177	2	"Terminal Lug, Female, QD, .25 X .032"
24	C00259	1	Washer, Slotted, Zinc	59	C00252	1	Washer, .375 in, Flat
25	C11536	1	Spade Bolt, .375-16 X 4 in	60	C11541	1	Washer, .375 in, Star
26	D11507-2	1	Cord Hook Clamp	61	B11518	1	Switch Insulation
27	D11507	1	Cord Hook Body	62	C00284	1	"Screw, 10-32 X .375 Ground"
28	C11558	2	Locknut, Black Oxide, Thin	63	B00187	1	Cable Clamp, Nylon, .43 in.
29	C11502	1	Socket Cap Screw, .375- 16 X 2.5 in	64	B00180-10-3	2	Ring Terminal, #10 Center
30	C11537	1	Dowel Pin, .31 X 1.5 in	65	B11505	1	Strain Relief Nut, Metal
31	C22558	1	Handle Pivot Bolt	66	C11560	1	Washer, .93 ID X 1.5 OD
32	K00674	2	Bushing, .50 in, Nylon	67	B11504	1	Strain Relief, Metal
33	D11510	1	Axle, Floor Machine	68	H02548-2	1	Label, Important, Cord
34	D11482	1	Handle Brace, Right, Black				



FM17-220  
7-27-16

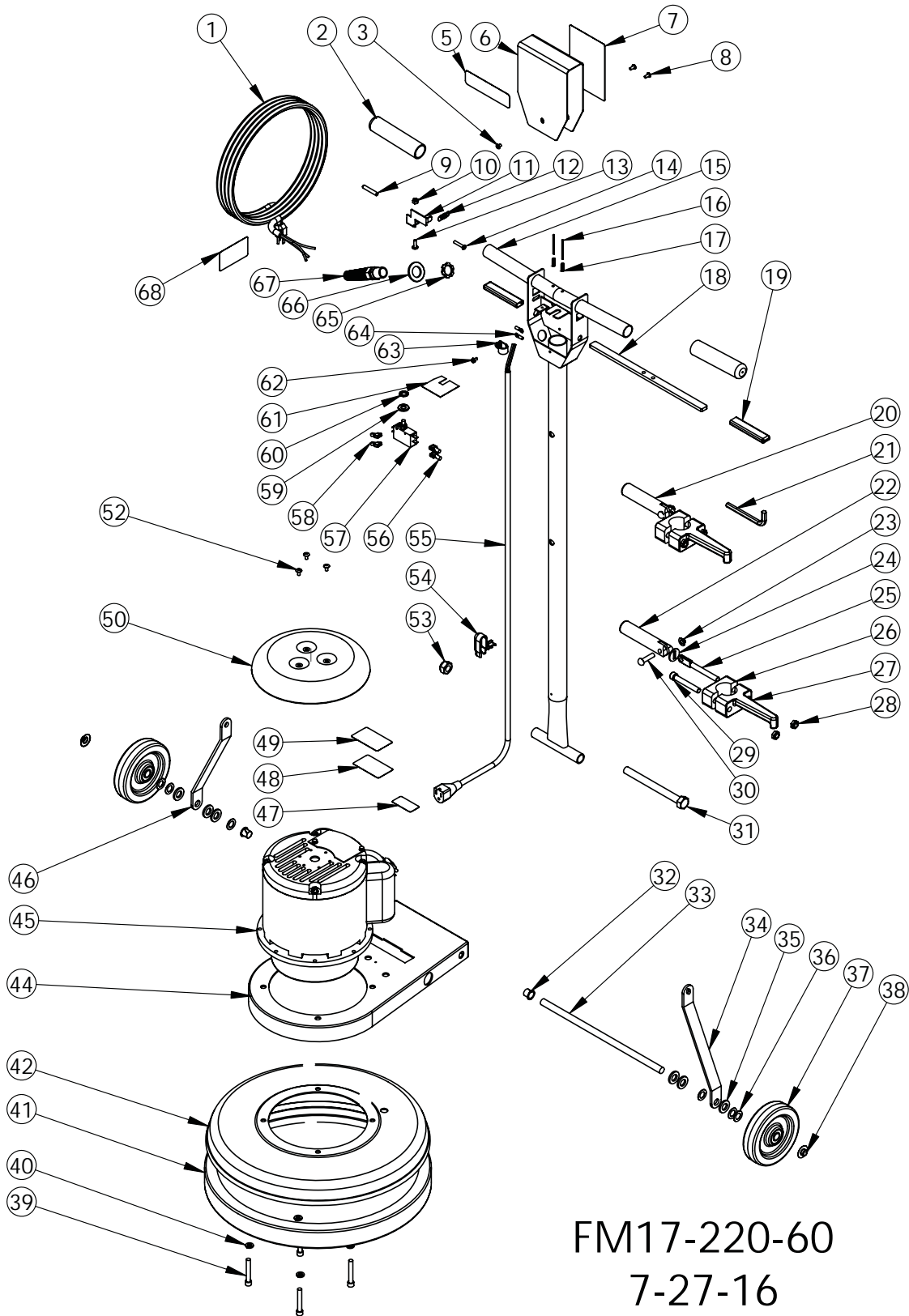
BILL OF MATERIAL							
ITEM	PART #	QTY	DESCRIPTION	ITEM	PART #	QTY	DESCRIPTION
1	B11487	1	Power Cord, 14-3, 50 FT, SJTW	35	C00240	6	Washer, Shoulder, Nylon
2	K11498	2	Grip	36	C11559	6	"Washer, .515 X .875 X .032"
3	C11528	1	Screw, 10-32 X .25 in	37	G11943	2	Wheel, 5 in Saturn
5	H11831	1	Minuteman Label	38	C02305	2	Cap Nut, .5in Push-on
6	D11496B	1	Switch Box Cover, Black	39	C11501	4	Socket Cap Screw, .31 - 18
7	H11493	1	Label, Safety, Floor Machine	40	C00251	4	Lockwasher, .31, Split
8	C11529	2	Screw, 10-32 X .375 in	41	E11477	1	Bumper, 17 in Floor Machine
9	K11519	1	Lever Grip, Lockout, Black	42	D11485B	1	Brush Cover, 17 in, Black
10	C00278	1	Locknut, 10-32, Nylon, SS	44	D11483-1	1	Black Motor Frame with spacers welded on
11	D11494	1	Lockout Bracket	45	G11635	1	Motor W-Gearbox, 1.5 HP 220v 50hz
12	D11524	1	Spring, Lockout	46	D11481	1	Handle Brace, Left, Black
13	C90007	1	"Screw, 10-32 X .625 Phillips, Truss Head, SS"	47	H10976-1	1	Label, UL STD 561-507
14	C11491	1	Screw, 10-32 X 1 in, SS	48	H00565-5	1	Label, Serial #, Standard
15	D11479-1	1	Handle, Chrome, Floormachine	49	H03545	1	Cover, Serial #, Label
16	C00306	2	Roll Pin, .125 X 1.75	50	D11490B	1	Drip Cover, Black
17	D11523	2	Spring, Trigger	52	C11916	3	"Screw, 10-32 X .375 Phillips"
18	D11495	1	Trigger, Zinc Plated	53	C13100	1	Nut, M14-2.0 Nylon Insert
19	K11520	2	Lever Grip, Trigger, Black	54	B10734	1	Strain Relief, Handle
20	11507A	1	Assembled Locking Handle, Cord Hook	55	B11513	1	Cord, Handle, 14-3 SJTW
21	C11619	1	Allen Wrench, .31 in	56	B11762	2	Terminal Lug, Nylon, Female
22	D11497	1	Handle, Locking Clamp	57	B11465	1	Switch, DPST, Pushbutton
23	C11538	1	Cap Nut, .31 in, Push-On	58	B00177	2	"Terminal Lug, Female, QD, .25 X .032"
24	C00259	1	Washer, Slotted, Zinc	59	C00252	1	Washer, .375 in, Flat
25	C11536	1	Spade Bolt, .375-16 X 4 in	60	C11541	1	Washer, .375 in, Star
26	D11507-2	1	Cord Hook Clamp	61	B11518	1	Switch Insulation
27	D11507	1	Cord Hook Body	62	C00284	1	"Screw, 10-32 X .375 Ground"
28	C11558	2	Locknut, Black Oxide, Thin	63	B00187	1	Cable Clamp, Nylon, .43 in.
29	C11502	1	Socket Cap Screw, .375- 16 X 2.5 in	64	B00180-10-3	2	Ring Terminal, #10 Center
30	C11537	1	Dowel Pin, .31 X 1.5 in	65	B11505	1	Strain Relief Nut, Metal
31	C22558	1	Handle Pivot Bolt	66	C11560	1	Washer, .93 ID X 1.5 OD
32	K00674	2	Bushing, .50 in, Nylon	67	B11504	1	Strain Relief, Metal
33	D11510	1	Axle, Floor Machine	68	H02548-2	1	Label, Important, Cord
34	D11482	1	Handle Brace, Right, Black				



FM20-220  
7-27-16

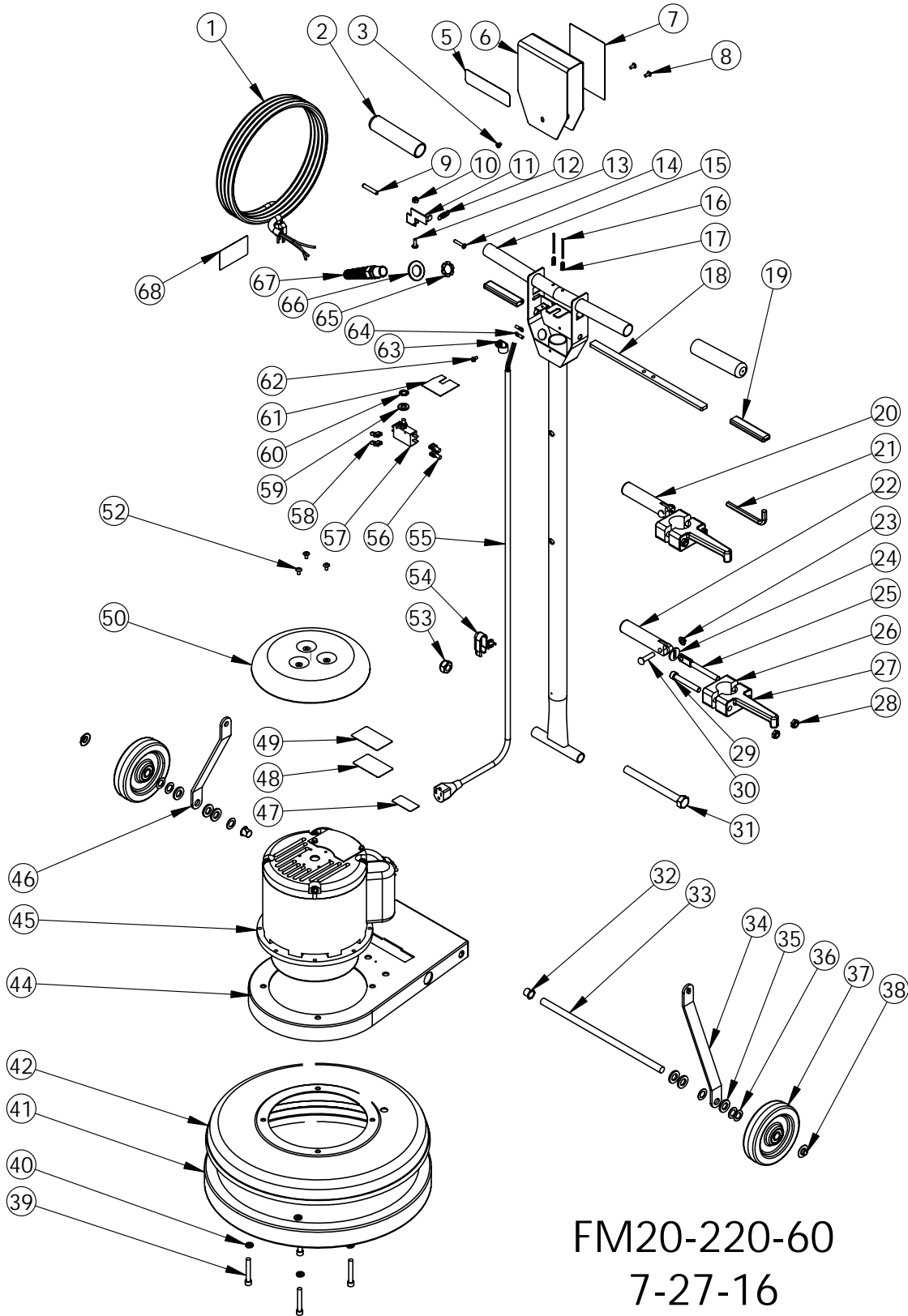


BILL OF MATERIAL							
ITEM	PART #	QTY	DESCRIPTION	ITEM	PART #	QTY	DESCRIPTION
1	B11487	1	Power Cord, 14-3, 50 FT, SJTW	35	C00240	6	Washer, Shoulder, Nylon
2	K11498	2	Grip	36	C11559	6	"Washer, .515 X .875 X .032"
3	C11528	1	Screw, 10-32 X .25 in	37	G11943	2	Wheel, 5 in Saturn
5	H11831	1	Minuteman Label	38	C02305	2	Cap Nut, .5in Push-on
6	D11496B	1	Switch Box Cover, Black	39	C11501	4	Socket Cap Screw, .31 - 18
7	H11493	1	Label, Safety, Floor Machine	40	C00251	4	Lockwasher, .31, Split
8	C11529	2	Screw, 10-32 X .375 in	41	E11478	1	Bumper, 20 in Floor Machine
9	K11519	1	Lever Grip, Lockout, Black	42	D11486B	1	Brush Cover, 20 in, Black
10	C00278	1	Locknut, 10-32, Nylon, SS	44	D11483-1	1	Black Motor Frame with spacers welded on
11	D11494	1	Lockout Bracket	45	G11635	1	Motor W-Gearbox, 1.5 HP 220v 50hz
12	D11524	1	Spring, Lockout	46	D11481	1	Handle Brace, Left, Black
13	C90007	1	"Screw, 10-32 X .625 Phillips, Truss Head, SS"	47	H10976-1	1	Label, UL STD 561-507
14	C11491	1	Screw, 10-32 X 1 in, SS	48	H00565-5	1	Label, Serial #, Standard
15	D11479-1	1	Handle, Chrome, Floormachine	49	H03545	1	Cover, Serial #, Label
16	C00306	2	Roll Pin, .125 X 1.75	50	D11490B	1	Drip Cover, Black
17	D11523	2	Spring, Trigger	52	C11916	3	"Screw, 10-32 X .375 Phillips"
18	D11495	1	Trigger, Zinc Plated	53	C13100	1	Nut, M14-2.0 Nylon Insert
19	K11520	2	Lever Grip, Trigger, Black	54	B10734	1	Strain Relief, Handle
20	11507A	1	Assembled Locking Handle, Cord Hook	55	B11513	1	Cord, Handle, 14-3 SJTW
21	C11619	1	Allen Wrench, .31 in	56	B11762	2	Terminal Lug, Nylon, Female
22	D11497	1	Handle, Locking Clamp	57	B11465	1	Switch, DPST, Pushbutton
23	C11538	1	Cap Nut, .31 in, Push-On	58	B00177	2	"Terminal Lug, Female, QD, .25 X .032"
24	C00259	1	Washer, Slotted, Zinc	59	C00252	1	Washer, .375 in, Flat
25	C11536	1	Spade Bolt, .375-16 X 4 in	60	C11541	1	Washer, .375 in, Star
26	D11507-2	1	Cord Hook Clamp	61	B11518	1	Switch Insulation
27	D11507	1	Cord Hook Body	62	C00284	1	"Screw, 10-32 X .375 Ground"
28	C11558	2	Locknut, Black Oxide, Thin	63	B00187	1	Cable Clamp, Nylon, .43 in.
29	C11502	1	Socket Cap Screw, .375- 16 X 2.5 in	64	B00180-10-3	2	Ring Terminal, #10 Center
30	C11537	1	Dowel Pin, .31 X 1.5 in	65	B11505	1	Strain Relief Nut, Metal
31	C22558	1	Handle Pivot Bolt	66	C11560	1	Washer, .93 ID X 1.5 OD
32	K00674	2	Bushing, .50 in, Nylon	67	B11504	1	Strain Relief, Metal
33	D11510	1	Axle, Floor Machine	68	H02548-2	1	Label, Important, Cord
34	D11482	1	Handle Brace, Right, Black				



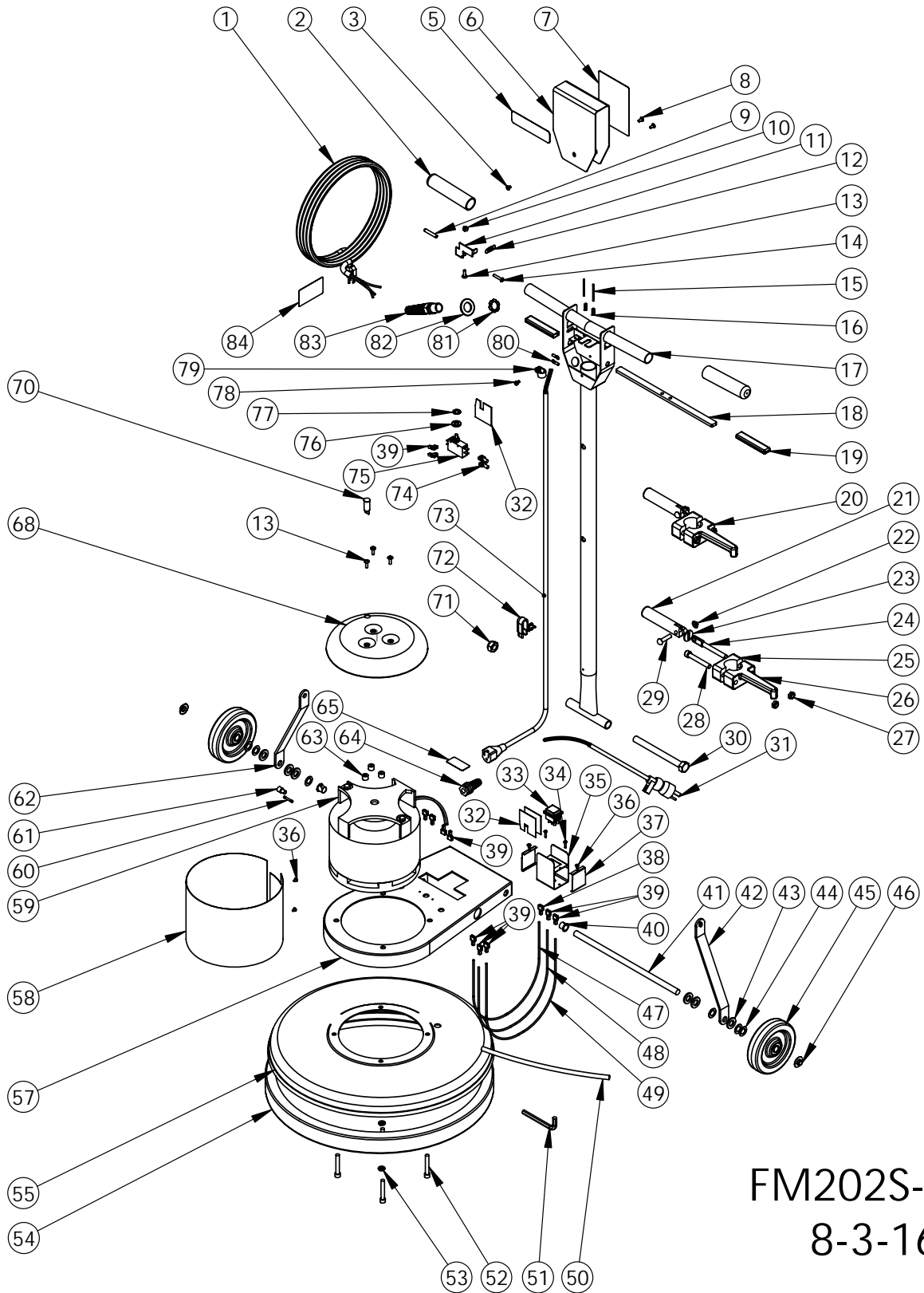
FM17-220-60  
7-27-16

BILL OF MATERIAL							
ITEM	PART #	QTY	DESCRIPTION	ITEM	PART #	QTY	DESCRIPTION
1	B11487	1	Power Cord, 14-3, 50 FT, SJTW	35	C00240	6	Washer, Shoulder, Nylon
2	K11498	2	Grip	36	C11559	6	"Washer, .515 X .875 X .032"
3	C11528	1	Screw, 10-32 X .25 in	37	G11943	2	Wheel, 5 in Saturn
5	H11831	1	Minuteman Label	38	C02305	2	Cap Nut, .5in Push-on
6	D11496B	1	Switch Box Cover, Black	39	C11501	4	Socket Cap Screw, .31 - 18
7	H11493	1	Label, Safety, Floor Machine	40	C00251	4	Lockwasher, .31, Split
8	C11529	2	Screw, 10-32 X .375 in	41	E11477	1	Bumper, 17 in Floor Machine
9	K11519	1	Lever Grip, Lockout, Black	42	D11485B	1	Brush Cover, 17 in, Black
10	C00278	1	Locknut, 10-32, Nylon, SS	44	D11483-1	1	Black Motor Frame with spacers welded on
11	D11494	1	Lockout Bracket	45	G11468-220A	1	"220A Motor W-Gearbox, 1.5 HP 220v 60hz"
12	D11524	1	Spring, Lockout	46	D11481	1	Handle Brace, Left, Black
13	C90007	1	"Screw, 10-32 X .625 Phillips, Truss Head, SS"	47	H10976-1	1	Label, UL STD 561-507
14	C11491	1	Screw, 10-32 X 1 in, SS	48	H00565-5	1	Label, Serial #, Standard
15	D11479-1	1	Handle, Chrome, Floormachine	49	H03545	1	Cover, Serial #, Label
16	C00306	2	Roll Pin, .125 X 1.75	50	D11490B	1	Drip Cover, Black
17	D11523	2	Spring, Trigger	52	C11916	3	"Screw, 10-32 X .375 Phillips"
18	D11495	1	Trigger, Zinc Plated	53	C13100	1	Nut, M14-2.0 Nylon Insert
19	K11520	2	Lever Grip, Trigger, Black	54	B10734	1	Strain Relief, Handle
20	11507A	1	Assembled Locking Handle, Cord Hook	55	B11513	1	Cord, Handle, 14-3 SJTW
21	C11619	1	Allen Wrench, .31 in	56	B11762	2	Terminal Lug, Nylon, Female
22	D11497	1	Handle, Locking Clamp	57	B11465	1	Switch, DPST, Pushbutton
23	C11538	1	Cap Nut, .31 in, Push-On	58	B00177	2	"Terminal Lug, Female, QD, .25 X .032"
24	C00259	1	Washer, Slotted, Zinc	59	C00252	1	Washer, .375 in, Flat
25	C11536	1	Spade Bolt, .375-16 X 4 in	60	C11541	1	Washer, .375 in, Star
26	D11507-2	1	Cord Hook Clamp	61	B11518	1	Switch Insulation
27	D11507	1	Cord Hook Body	62	C00284	1	"Screw, 10-32 X .375 Ground"
28	C11558	2	Locknut, Black Oxide, Thin	63	B00187	1	Cable Clamp, Nylon, .43 in.
29	C11502	1	Socket Cap Screw, .375- 16 X 2.5 in	64	B00180-10-3	2	Ring Terminal, #10 Center
30	C11537	1	Dowel Pin, .31 X 1.5 in	65	B11505	1	Strain Relief Nut, Metal
31	C22558	1	Handle Pivot Bolt	66	C11560	1	Washer, .93 ID X 1.5 OD
32	K00674	2	Bushing, .50 in, Nylon	67	B11504	1	Strain Relief, Metal
33	D11510	1	Axle, Floor Machine	68	H02548-2	1	Label, Important, Cord
34	D11482	1	Handle Brace, Right, Black				



FM20-220-60  
7-27-16

BILL OF MATERIAL							
ITEM	PART #	QTY	DESCRIPTION	ITEM	PART #	QTY	DESCRIPTION
1	B11487	1	Power Cord, 14-3, 50 FT, SJTW	35	C00240	6	Washer, Shoulder, Nylon
2	K11498	2	Grip	36	C11559	6	"Washer, .515 X .875 X .032"
3	C11528	1	Screw, 10-32 X .25 in	37	G11943	2	Wheel, 5 in Saturn
5	H11831	1	Minuteman Label	38	C02305	2	Cap Nut, .5in Push-on
6	D11496B	1	Switch Box Cover, Black	39	C11501	4	Socket Cap Screw, .31 - 18
7	H11493	1	Label, Safety, Floor Machine	40	C00251	4	Lockwasher, .31, Split
8	C11529	2	Screw, 10-32 X .375 in	41	E11478	1	Bumper, 20 in Floor Machine
9	K11519	1	Lever Grip, Lockout, Black	42	D11486B	1	Brush Cover, 20 in, Black
10	C00278	1	Locknut, 10-32, Nylon, SS	44	D11483-1	1	Black Motor Frame with spacers welded on
11	D11494	1	Lockout Bracket	45	G11468-220A	1	"Motor W-Gearbox, 1.5 HP 220v 60hz"
12	D11524	1	Spring, Lockout	46	D11481	1	Handle Brace, Left, Black
13	C90007	1	"Screw, 10-32 X .625 Phillips, Truss Head, SS"	47	H10976-1	1	Label, UL STD 561-507
14	C11491	1	Screw, 10-32 X 1 in, SS	48	H00565-5	1	Label, Serial #, Standard
15	D11479-1	1	Handle, Chrome, Floormachine	49	H03545	1	Cover, Serial #, Label
16	C00306	2	Roll Pin, .125 X 1.75	50	D11490B	1	Drip Cover, Black
17	D11523	2	Spring, Trigger	52	C11916	3	"Screw, 10-32 X .375 Phillips"
18	D11495	1	Trigger, Zinc Plated	53	C13100	1	Nut, M14-2.0 Nylon Insert
19	K11520	2	Lever Grip, Trigger, Black	54	B10734	1	Strain Relief, Handle
20	11507A	1	Assembled Locking Handle, Cord Hook	55	B11513	1	Cord, Handle, 14-3 SJTW
21	C11619	1	Allen Wrench, .31 in	56	B11762	2	Terminal Lug, Nylon, Female
22	D11497	1	Handle, Locking Clamp	57	B11465	1	Switch, DPST, Pushbutton
23	C11538	1	Cap Nut, .31 in, Push-On	58	B00177	2	"Terminal Lug, Female, QD, .25 X .032"
24	C00259	1	Washer, Slotted, Zinc	59	C00252	1	Washer, .375 in, Flat
25	C11536	1	Spade Bolt, .375-16 X 4 in	60	C11541	1	Washer, .375 in, Star
26	D11507-2	1	Cord Hook Clamp	61	B11518	1	Switch Insulation
27	D11507	1	Cord Hook Body	62	C00284	1	"Screw, 10-32 X .375 Ground"
28	C11558	2	Locknut, Black Oxide, Thin	63	B00187	1	Cable Clamp, Nylon, .43 in.
29	C11502	1	Socket Cap Screw, .375- 16 X 2.5 in	64	B00180-10-3	2	Ring Terminal, #10 Center
30	C11537	1	Dowel Pin, .31 X 1.5 in	65	B11505	1	Strain Relief Nut, Metal
31	C22558	1	Handle Pivot Bolt	66	C11560	1	Washer, .93 ID X 1.5 OD
32	K00674	2	Bushing, .50 in, Nylon	67	B11504	1	Strain Relief, Metal
33	D11510	1	Axle, Floor Machine	68	H02548-2	1	Label, Important, Cord
34	D11482	1	Handle Brace, Right, Black				

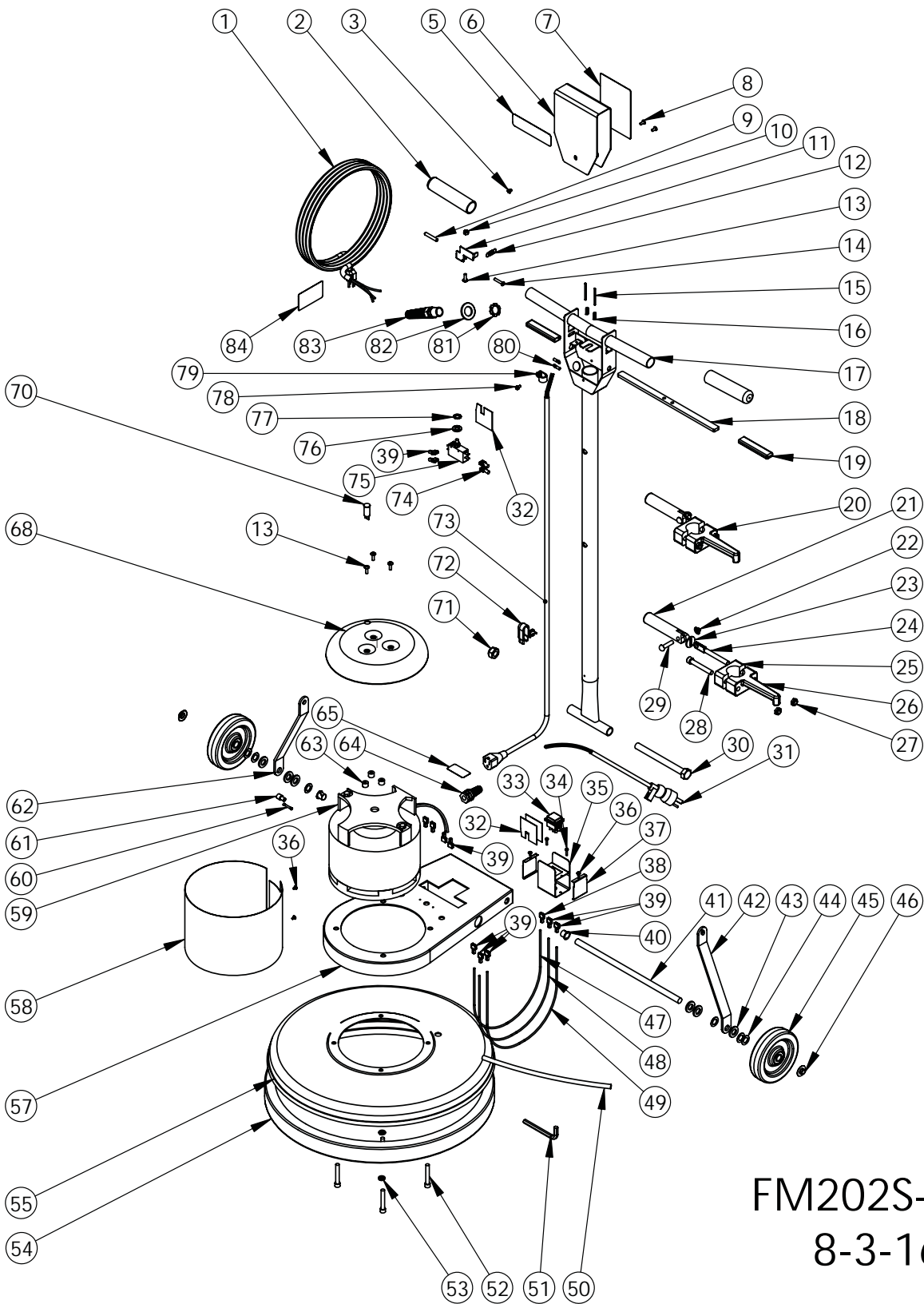


FM202S-115  
8-3-16

BILL OF MATERIAL							
ITEM	PART #	QTY	DESCRIPTION	ITEM	PART #	QTY	DESCRIPTION
1	B11487	1	Power Cord, 14-3, 50 FT, SJTW	27	C11558	2	Locknut, .375-16, Nylon
2	K11498	2	Grip	28	C11502	1	Socket Cap Screw, .375-16 X 2.5 in
3	C11528	1	Screw, 10-32 X .25 in	29	C11537	1	Dowel Pin, .31 X 1.5 in
5	H13699	1	Label, MINUTEMAN, White	30	C13101	1	Screw, Hex Cap, M14-2.0
6	D11496B	1	Switch Box Cover, Black	31	B13156	1	power cord 16/3 3 ft
7	H11493	1	Label, Safety, Floor Machine	32	B11518	3	Switch Insulation
8	C11529	2	Screw, 10-32 X .375 in	33	B11751	1	Switch, Rocker, DPDT, Black
9	K11519	1	Lever Grip, Lockout, Black	34	C00293	2	#8 X .5in Pan, Black SMS, Phillips
10	C00278	1	Locknut, 10-32, Nylon, SS	35	D11582	1	Bracket, Switch Mount
11	D11494	1	Lockout Bracket	36	C00297	4	Screw,#8 X .25 in, Pan Head
12	D11524	1	Spring, Lockout	37	D11646	2	Switch Bracket Cover
13	C90007	4	Screw, 10-32 X .625 Phillips, Truss Head, SS	38	B00177-1	1	Terminal Lug, Female, QD, .25 X 0.032
14	C11491	1	Screw, 10-32 X 1 in, SS	39	B00177	11	Terminal Lug, Female, QD, .25 X 0.032
15	C00306	2	Roll Pin, .125 X 1.75	40	K00674	2	Bushing, .50 in, Nylon
16	D11523	2	Spring, Trigger	41	D11510	1	Axle, Floor Machine
17	D11479	1	Handle, Chrome, Floormachine	42	D11482	1	Handle Brace, Right, Black
18	D11495	1	Trigger, Zinc Plated	43	C00240	6	Washer, Shoulder, Nylon
19	K11520	2	Lever Grip, Trigger, Black	44	C11559	6	Washer, .515 X .875 X .032
20	11507A	1	Assembled Locking Handle, Cord Hook	45	G11943	2	Wheel, 5 in Saturn
21	D11497	1	Handle, Locking Clamp	46	C02305	2	Cap Nut, .5in Push-on
22	C11538	1	Cap Nut, .31 in, Push-On	47	B00185-30	1	Wire, 14 Ga X 2 ft, White, UL195
23	C00259	1	Washer, Slotted, Zinc	48	B00185-40	1	Wire, 14 Ga X 2 ft, Black, UL1015
24	C11536	1	Spade Bolt, .375-16 X 4 in	49	B00185-86	1	Wire, 14 Ga X 2 ft, Red, UL1015
25	D11507	1	Cord Hook Clamp	50	B00228-2	1	1 Foot Shrinktube, .375 in, Poly
26	D11507-2	1	Cord Hook Body	51	C11619	1	Allen Wrench, .31 in

BILL OF MATERIAL							
ITEM	PART #	QTY	DESCRIPTION	ITEM	PART #	QTY	DESCRIPTION
52	C11501	4	Socket Cap Screw, .31 - 18	71	C13100	1	Nut, M14-2.0 Nylon Insert
53	C00251	4	Lockwasher, .31, Split	72	B10734	1	Strain Relief, Handle
54	E11478	1	Bumper, 20 in Floor Machine	73	B11513	1	Cord, Handle, 14-3 SJTW
55	D11486B	1	Brush Cover, 20 in, BLACK	74	B11762	2	Terminal Lug, Nylon, Female
57	D11483	1	Frame, Motor, Black	75	B11465	1	Switch, DPST, Pushbutton
58	D11545	1	Motor Screen	76	C00252	1	Washer, .375 in, Flat
59	11573A	1	Motor assembly 115v	77	C11541	1	Washer, .375 in, Star
60	B00181	1	Butt Connector, Blue, 1 Wire	78	C00284	1	Screw, 10-32 X .375 Ground
61	B00179-1	1	Closed End Cntr, 16-3	79	B00187	1	Cable Clamp, Nylon, .43 in.
62	D11481	1	Handle Brace, Left, Black	80	B00180-10-3	2	Ring Terminal, #10 Center
63	K11517	3	Spacer, .19 ID X .375 High X 0.5 OD, Nylon	81	B11505	1	Strain Relief Nut, Metal
64	B11199	1	Strain Relief, Pigtail w-Locknut	82	C11560	1	Washer, .93 ID X 1.5 OD
65	H10976-1	1	Label, UL STD 561-507	83	B11504	1	Strain Relief, Metal
68	D11490B-H	1	Drip Cover w - Hole for Light BLK	84	H02548-2	1	Label, Important, Cord
70	B02196-1	1	Light, Motor Carbon Brush Wear				





FM202S-220  
8-3-16

BILL OF MATERIAL							
ITEM	PART #	QTY	DESCRIPTION	ITEM	PART #	QTY	DESCRIPTION
1	B11487	1	Power Cord, 14-3, 50 FT, SJTW	27	C11558	2	Locknut, .375-16, Nylon
2	K11498	2	Grip	28	C11502	1	Socket Cap Screw, .375-16 X 2.5 in
3	C11528	1	Screw, 10-32 X .25 in	29	C11537	1	Dowel Pin, .31 X 1.5 in
5	H13699	1	Label, MINUTEMAN, White	30	C13101	1	Screw, Hex Cap, M14-2.0
6	D11496B	1	Switch Box Cover, Black	31	B13156	1	power cord 16/3 3 ft
7	H11493	1	Label, Safety, Floor Machine	32	B11518	3	Switch Insulation
8	C11529	2	Screw, 10-32 X .375 in	33	B11751	1	Switch, Rocker, DPDT, Black
9	K11519	1	Lever Grip, Lockout, Black	34	C00293	2	#8 X .5in Pan, Black SMS, Phillips
10	C00278	1	Locknut, 10-32, Nylon, SS	35	D11582	1	Bracket, Switch Mount
11	D11494	1	Lockout Bracket	36	C00297	4	Screw,#8 X .25 in, Pan Head
12	D11524	1	Spring, Lockout	37	D11646	2	Switch Bracket Cover
13	C90007	4	Screw, 10-32 X .625 Phillips, Truss Head, SS	38	B00177-1	1	Terminal Lug, Female, QD, .25 X 0.032
14	C11491	1	Screw, 10-32 X 1 in, SS	39	B00177	11	Terminal Lug, Female, QD, .25 X 0.032
15	C00306	2	Roll Pin, .125 X 1.75	40	K00674	2	Bushing, .50 in, Nylon
16	D11523	2	Spring, Trigger	41	D11510	1	Axle, Floor Machine
17	D11479	1	Handle, Chrome, Floormachine	42	D11482	1	Handle Brace, Right, Black
18	D11495	1	Trigger, Zinc Plated	43	C00240	6	Washer, Shoulder, Nylon
19	K11520	2	Lever Grip, Trigger, Black	44	C11559	6	Washer, .515 X .875 X .032
20	11507A	1	Assembled Locking Handle, Cord Hook	45	G11943	2	Wheel, 5 in Saturn
21	D11497	1	Handle, Locking Clamp	46	C02305	2	Cap Nut, .5in Push-on
22	C11538	1	Cap Nut, .31 in, Push-On	47	B00185-30	1	Wire, 14 Ga X 2 ft, White, UL195
23	C00259	1	Washer, Slotted, Zinc	48	B00185-40	1	Wire, 14 Ga X 2 ft, Black, UL1015
24	C11536	1	Spade Bolt, .375-16 X 4 in	49	B00185-86	1	Wire, 14 Ga X 2 ft, Red, UL1015
25	D11507	1	Cord Hook Clamp	50	B00228-2	1	1 Foot Shrinktube, .375 in, Poly
26	D11507-2	1	Cord Hook Body	51	C11619	1	Allen Wrench, .31 in

BILL OF MATERIAL							
ITEM	PART #	QTY	DESCRIPTION	ITEM	PART #	QTY	DESCRIPTION
52	C11501	4	Socket Cap Screw, .31 - 18	71	C13100	1	Nut, M14-2.0 Nylon Insert
53	C00251	4	Lockwasher, .31, Split	72	B10734	1	Strain Relief, Handle
54	E11478	1	Bumper, 20 in Floor Machine	73	B11513	1	Cord, Handle, 14-3 SJTW
55	D11486B	1	Brush Cover, 20 in, BLACK	74	B11762	2	Terminal Lug, Nylon, Female
57	D11483	1	Frame, Motor, Black	75	B11465	1	Switch, DPST, Pushbutton
58	D11545	1	Motor Screen	76	C00252	1	Washer, .375 in, Flat
59	11573-1A	1	Motor assembly 220V 50/60Hz	77	C11541	1	Washer, .375 in, Star
60	B00181	1	Butt Connector, Blue, 1 Wire	78	C00284	1	Screw, 10-32 X .375 Ground
61	B00179-1	1	Closed End Cntr, 16-3	79	B00187	1	Cable Clamp, Nylon, .43 in.
62	D11481	1	Handle Brace, Left, Black	80	B00180-10-3	2	Ring Terminal, #10 Center
63	K11517	3	Spacer, .19 ID X .375 High X 0.5 OD, Nylon	81	B11505	1	Strain Relief Nut, Metal
64	B11199	1	Strain Relief, Pigtail w-Locknut	82	C11560	1	Washer, .93 ID X 1.5 OD
65	H10976-1	1	Label, UL STD 561-507	83	B11504	1	Strain Relief, Metal
68	D11490B-H	1	Drip Cover w - Hole for Light BLK	84	H02548-2	1	Label, Important, Cord
70	B02196-1	1	Light, Motor Carbon Brush Wear				



## Minuteman International Made Simple Commercial Limited Warranty

### REVISION O EFFECTIVE 4/1/2016

Minuteman International, Inc. warrants to the original purchaser/user that the product is free from defects in workmanship and materials under normal use. Minuteman will, at its option, repair or replace without charge, parts that fail under normal use and service when operated and maintained in accordance with the applicable operation and instruction manuals. All warranty claims must be submitted through and approved by factory authorized repair stations.

This warranty does not apply to normal wear, or to items whose life is dependent on their use and care, such as belts, cords, switches, hoses, rubber parts, electrical motor components or adjustments. Parts manufactured by Minuteman are covered by and subject to the warranties and/or guarantees of their manufacturers. Please contact Minuteman for procedures in warranty claims against these manufacturers.

**Special warning to purchaser** -- Use of replacement filters and/or pre-filters not manufactured by Minuteman or its designated licensees, will void all warranties expressed or implied. A potential health hazard exists without original equipment replacement.

All warranted items become the sole property of Minuteman or its original manufacturer, whichever the case may be.

Minuteman disclaims any implied warranty, including the warranty of merchantability and the warranty of fitness for a particular purpose. Minuteman assumes no responsibility for any special, incidental or consequential damages.

This limited warranty is applicable only in the U.S.A. and Canada, and is extended only to the original user/purchaser of this product. Customers outside the U.S.A. and Canada should contact their local distributor for export warranty policies. Minuteman is not responsible for costs or repairs performed by persons other than those specifically authorized by Minuteman. This warranty does not apply to damage from transportation, alterations by unauthorized persons, misuse or abuse of the equipment, use of non-compatible chemicals, or damage to property, or loss of income due to malfunctions of the product.

If a difficulty develops with this machine, you should contact the dealer from whom it was purchased.

This warranty gives you specific legal rights, and you may have other rights which vary from state to state. Some states do not allow the exclusion or limitation of special, incidental or consequential damages, or limitations on how long an implied warranty lasts, so the above exclusions and limitations may not apply to you.

<b>Model</b>	<b>Parts</b>	<b>Labor</b>	<b>Poly</b>	<b>Travel**</b>
Cord Electric Group	5yrs	3yrs	12yrs	90 days
Battery Operated Group	5yrs	3yrs	12yrs	90 days


**Exceptions.....**

<b>Model</b>	<b>Parts</b>	<b>Labor</b>	<b>Poly</b>	<b>Travel**</b>
Port A Scrub, all models	1yr	6months	12yrs	90 days
A3S Blower	1yr	1yr	0	0
Phenom Dual Motor Upright Vacuums	2yrs	2yrs	0	0
Explosion Proof Vacuum	1yr	1yr	0	0
Propane Burnisher	1yr	1yr	0	90 days
**Travel, 2 hours max				

<i>Stand-alone Battery Chargers:</i>	One year
<i>Replacement Parts:</i>	Ninety days
<i>Batteries:</i>	0-3 months full replacement, 4-12 months pro-rate
<i>Polypropylene Plastic Tanks:</i>	12yr warranty, no additional labor

# ***“Excellence Meets Clean”***

**Minuteman is a Full Line Manufacturer of Sweepers and Scrubbers,  
for Industrial Facilities.**



14N845 U.S. Route 20, Pingree Grove, IL 60140 USA  
Phone (800) 323-9420 - [www.minutemanintl.com](http://www.minutemanintl.com)  
*A Member of the Hako Group*